



MATLAB® & Simulink®馬達驅控技術研討會

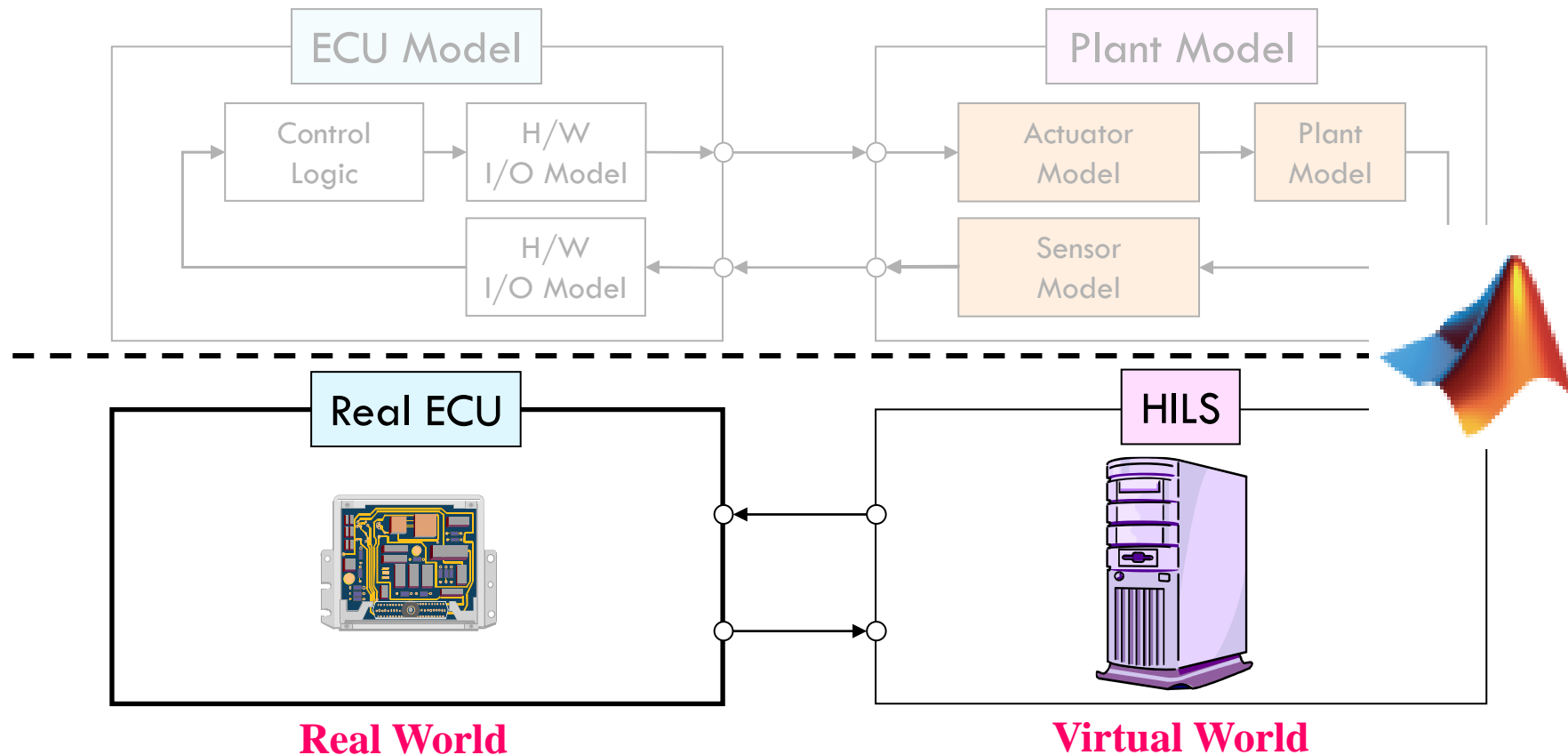
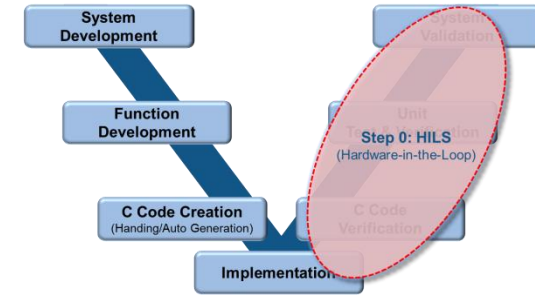
使用Simulink Real-Time與Speedgoat模擬器  
進行馬達驅控器的HIL測試

Jerry Tung

鈦思科技

# Hardware-in-the Loop Testing

- HILS (Hardware-in-the-Loop Simulation)

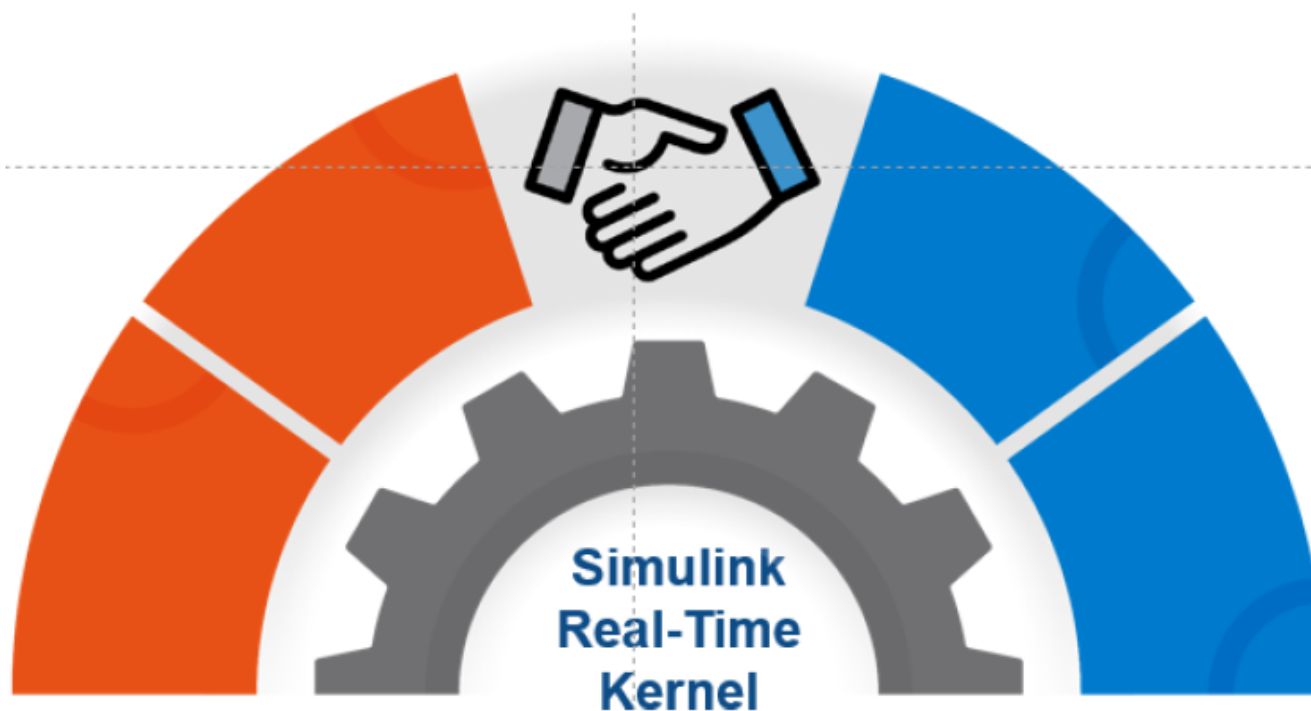


# MathWorks and Speedgoat Real-Time Simulation & Testing



## Simulink Real-Time

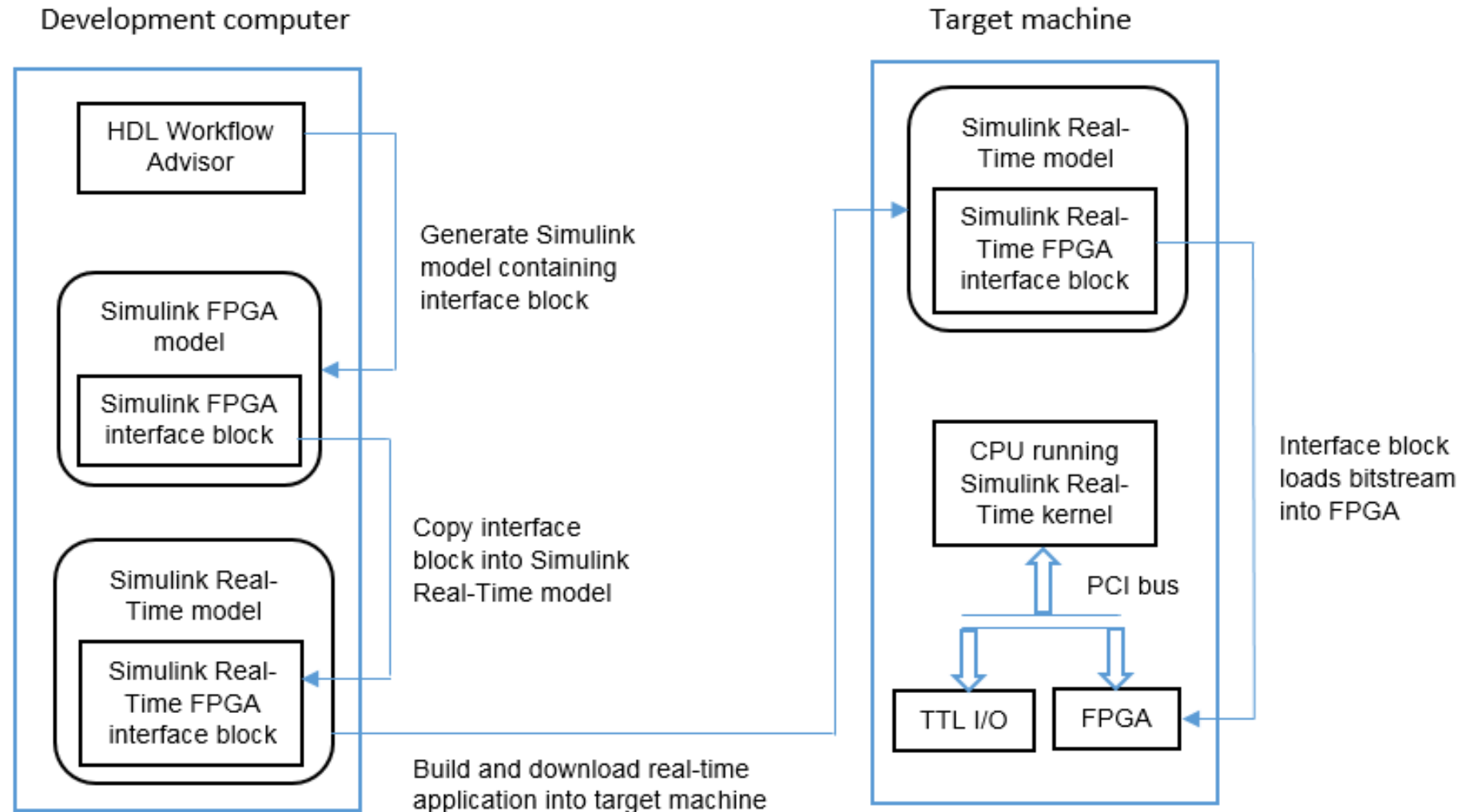
- Code generation (C/VHDL)
- Toolboxes and Blockset support
- Real-time instrumentation
- Simulink test



## Real-Time Target Machines

- I/O modules / protocol support
- FPGA-based solutions
- Speedgoat driver library
- Complete HIL rigs

# What's Simulink Real-Time and Speedgoat ?

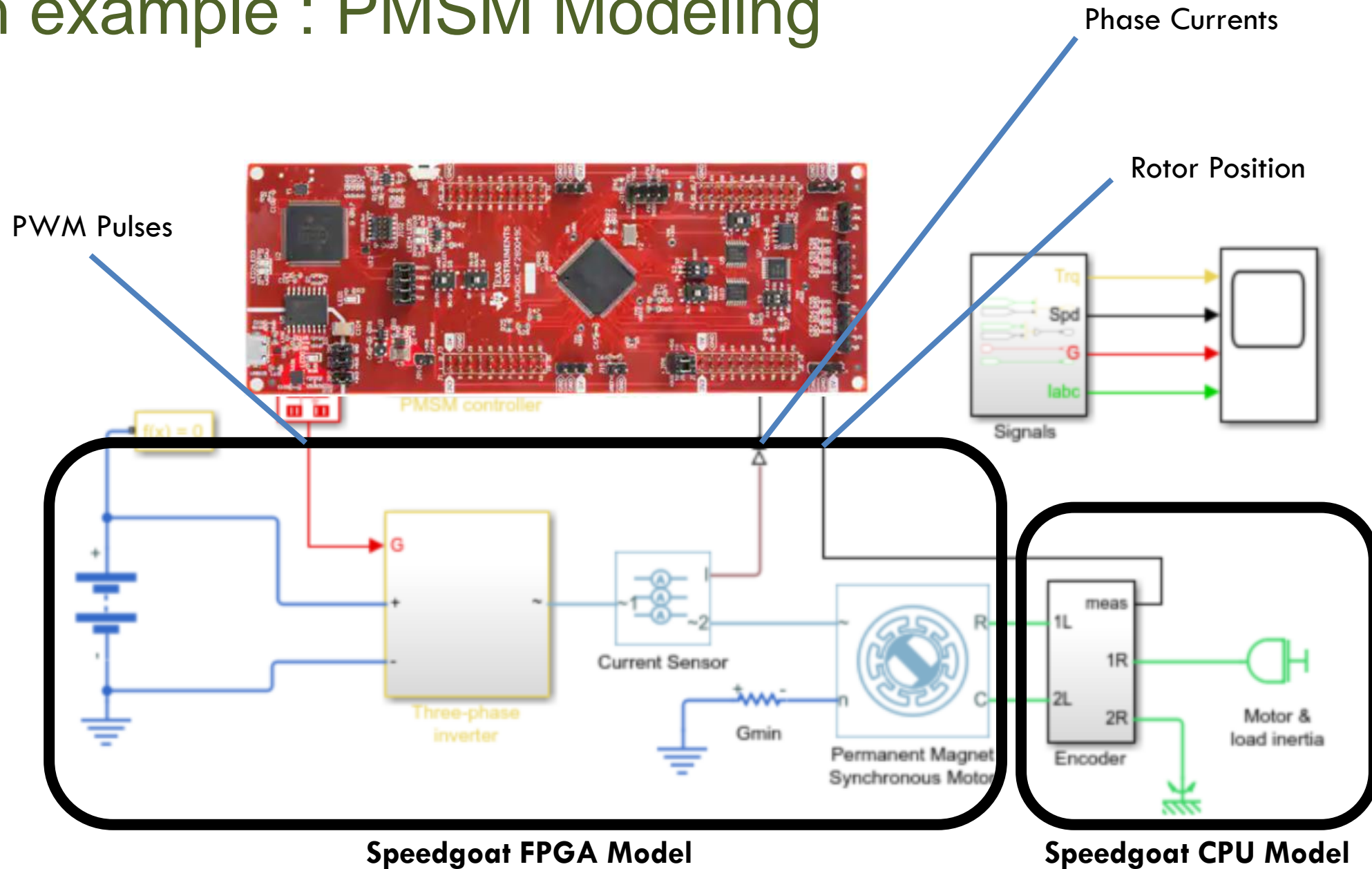


# Speedgoat Real Time Target Machine Products

## Performance



# An example : PMSM Modeling





**TeraSoft** 鈦思科技  
www.terasoft.com.tw

最專業的MATLAB技術支援及服務團隊－鈦思科技

台北：台北市忠孝東路六段21號8樓之3 Tel: (02)2788-9300

新竹：竹北市復興一街251號13樓之6 Tel: (03)550-5590